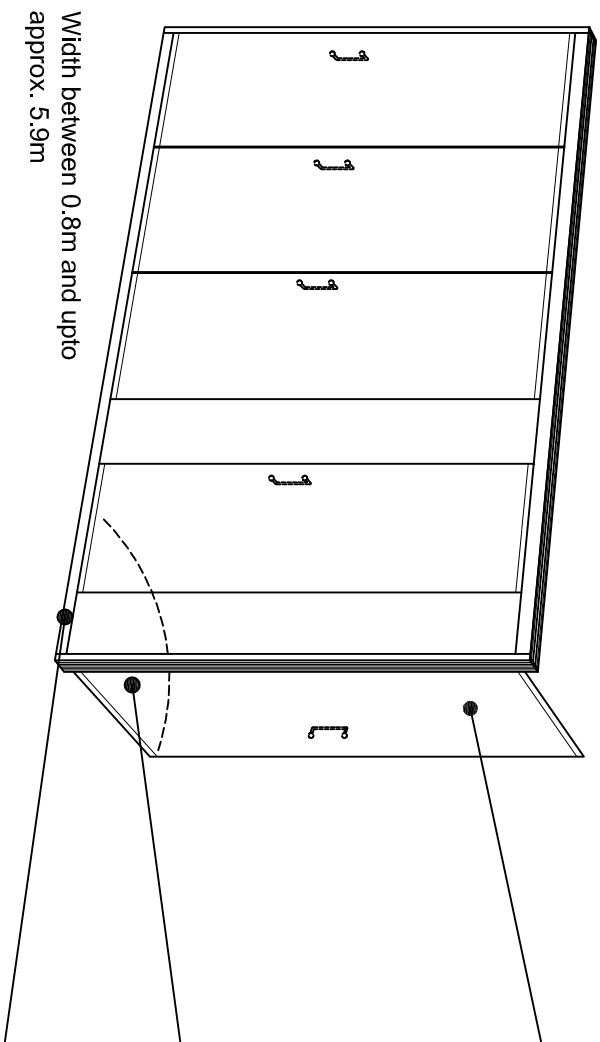


## Design possibilities and limits of Windoor System 800 - folding doors



Height up to approx. 2.1 m



### Folding door

Folding door can be supplied with 8mm or 10mm toughened glass.

Height of the glass: Max. 2000mm

Width of the glass: 700mm - 900mm

Height of the glass should not be greater than 3 times the width.

The element can be supplied with upto 6 folding doors all sliding to one side.

The glass needs to be capable of withstanding the imposed wind load.

### Degree of opening

The folding glass will open upto 90° as standard, if required it can be opened up to 130° with a modification.

### Aluminium extrusions

The Windoor System 800 is supplied with 2 side frames, a bottom frame and a top frame, assembly is carried out on site.

The top and bottom frame are fixed back to the sub construction.

Fixing the top frame: 100mm from the side (where the glasses open) then 250mm and then 1000mm centres.

The bottom frame needs to be fixed 100mm from each corner and then at 1000mm centres.

The above mentioned fixing requirement assumes that the sub construction is capable of taking the imposed load.